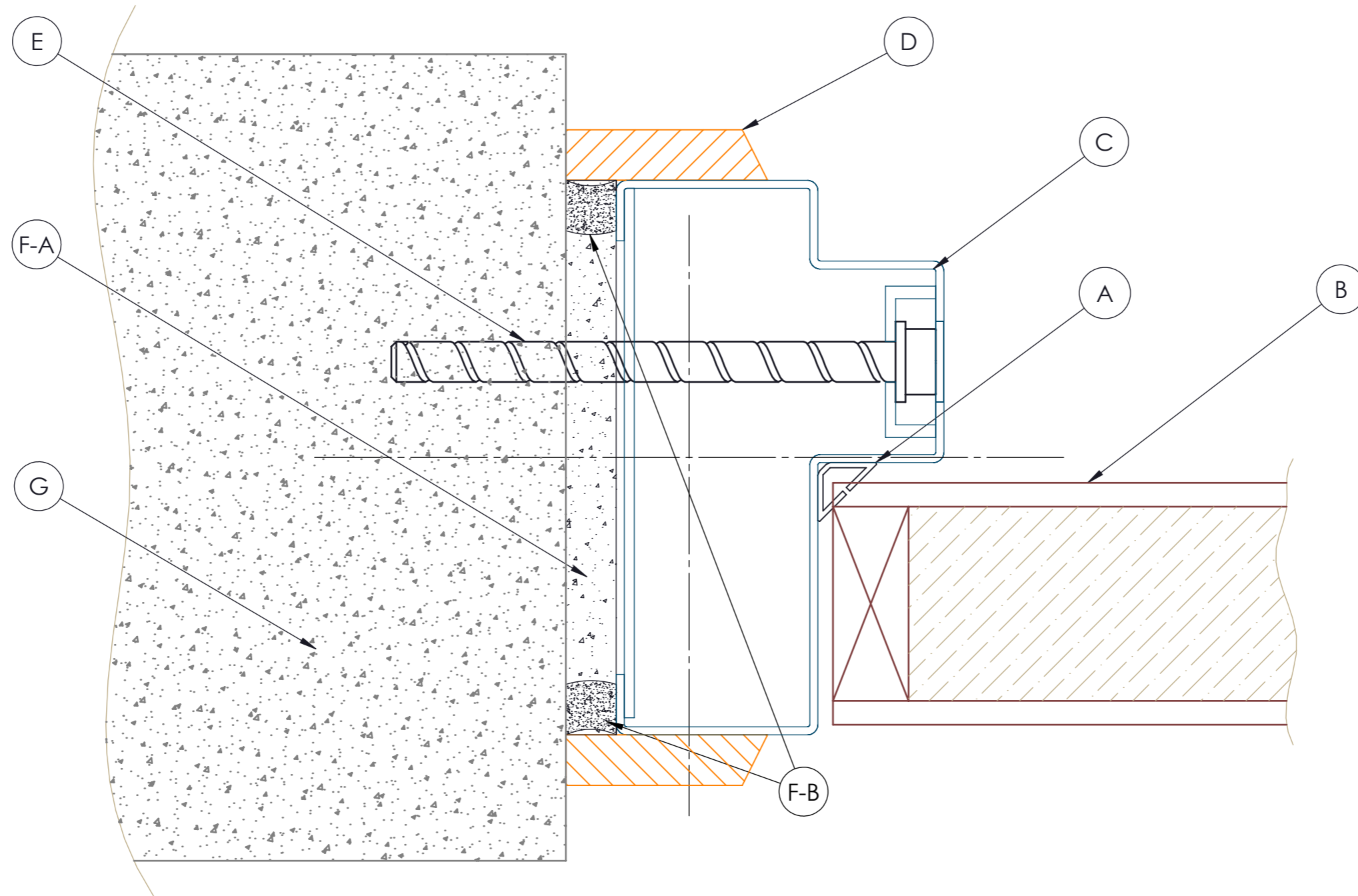


HDJ-M180-48



A	LAS1212
B	48mm EUROPA DOOR
C	STEEL JAMB (MUST BE BACKFILLED)
D	TIMBER ARCHITRAVE (By Others Min. 40 X 10mm)
E	6MM EXALIBUR SCREWBOLT
F	MAX. 10mm FITTING GAP TO BE FILLED WITH: F-A PR EXPANDING FOAM (E.G. SIKA BOOM) AND F-B INTUMESCENT MATERIAL (E.G. BOSS MASTIC) TO FILL FITTING VOID
G	MASONRY WALL

CORE	EUROPA
FRR	-/180/30 sm
STUD	NA
JAMB "J"	STT1-R1
WALL TYPE EXAMPLES	MASONRY

Title:	Door Jamb	Date:	19/01/2021	Drawn By:	HM
Drawing No:	HDJ-M180-48	Revision:	1.0	Checked By:	HM
		Sheet No:	1 / 1	Size:	A3

